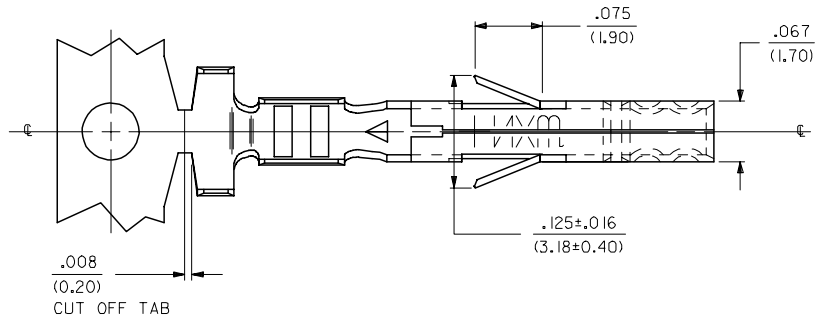


ITEM NO.	FORM	WIRE GAGE	QUANTITY PER REEL	DIM. "B"	DIM. "C"	DIM. "D"	DIM. "E"	DIM. "F"	DIM. "G"
44476-1111	CHAIN	18-20 GA.	4,000	.142±.012 (3.60±0.30)	.177±.016 (4.50±0.40)	.035 (0.90)	.075±.012 (1.90±0.30)	.091±.016 (2.30±0.40)	.020 (0.50)
44476-3111	CHAIN	16 GA.	4,000	.142±.012 (3.60±0.30)	.177±.016 (4.50±0.40)	.035 (0.90)	.091±.012 (2.30±0.30)	.106±.016 (2.70±0.40)	.024 (0.60)

**LEGEND:**

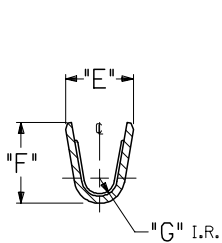
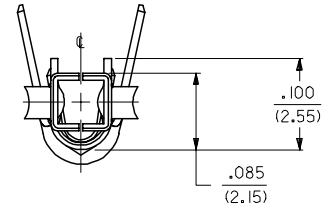
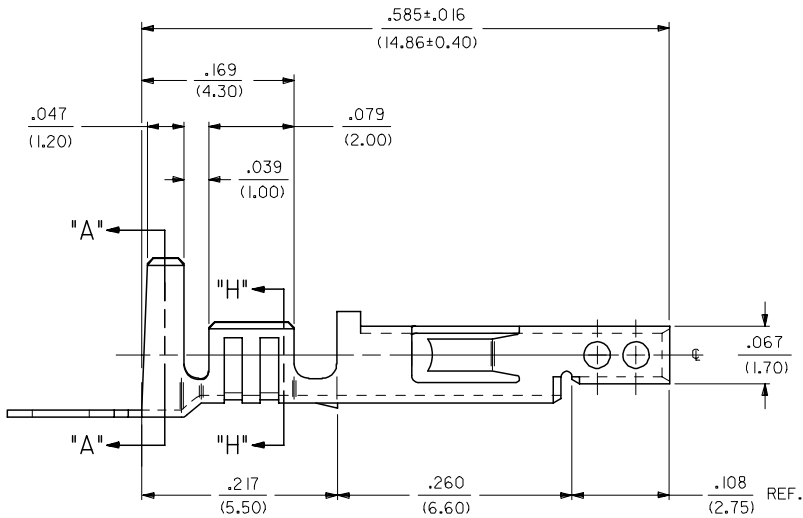
44476 - \* \* | \*

BASE NO. \_\_\_\_\_  
 WIRE GAGE \_\_\_\_\_  
 1 = 18-20 AWG  
 3 = 16 AWG  
 PLATING \_\_\_\_\_  
 SEE NOTE 5  
 CHAIN OR LOOSE \_\_\_\_\_  
 "1" = CHAIN  
 "2" = LOOSE

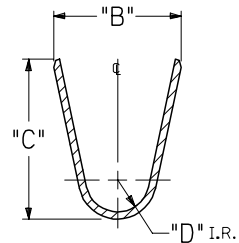


**NOTES:**

- PART DESIGNED IN METRIC.
- TERMINAL FOR USE WITH 5557, 30067 & 42474 SERIES HOUSINGS.
- MATES WITH 44478 MALE TERMINAL AND 43810, 44068, 44472, 44473, 44474, 42404, 5569 AND 30070 SERIES CONNECTORS.
- MATERIAL: COPPER ALLOY, .008/(.203) THICK.
- FINISH:
  - 1 = POSTPLATE .000100/(.00254) MIN. BRIGHT TIN OVER .000050/(0.00127) MIN. NICKEL OVERALL.
  - 2 THE PRIMARY SHIPPING CARTON WILL BE LABELED "COMPLIANT TO RoHS DIRECTIVE 2002/95/EC AND ELV ANNEX II OF DIRECTIVE 2000/53/EC." CARTONS WITHOUT THIS LABEL MAY CONTAIN PRODUCT WITH TIN-LEAD PLATING.
- ITEM NUMBERS PRECEDED BY AN "X" IN THE CHART ARE NOT AVAILABLE.
- PRODUCT SPECIFICATION AND PROCESSING PARAMETERS: SEE PS-44476-001.



SECT. "H-H"



SECT. "A-A"

<b>CHANGED NOTE 4</b> EC NO: UCP2006-0883 DRW:ADRAINOL 2005/10/25 CHKD:GOLGAR 2005/10/25 APPR:ICOMERCJ 2005/10/26 REV: D1	QUALITY SYMBOLS ▽=0 ▽=0	GENERAL TOLERANCES (UNLESS SPECIFIED) <table border="1"> <thead> <tr> <th></th> <th>mm</th> <th>INCH</th> </tr> </thead> <tbody> <tr> <td>4 PLACES</td> <td>± .10</td> <td>± .004</td> </tr> <tr> <td>3 PLACES</td> <td>± .125</td> <td>± .010</td> </tr> <tr> <td>2 PLACES</td> <td>± .15</td> <td>± .014</td> </tr> <tr> <td>1 PLACE</td> <td>± .25</td> <td>± .010</td> </tr> </tbody> </table>		mm	INCH	4 PLACES	± .10	± .004	3 PLACES	± .125	± .010	2 PLACES	± .15	± .014	1 PLACE	± .25	± .010	DIMENSION STYLE IN/MM	SCALE 10:1	DESIGN UNITS METRIC	THIRD ANGLE PROJECTION
			mm	INCH																	
4 PLACES	± .10	± .004																			
3 PLACES	± .125	± .010																			
2 PLACES	± .15	± .014																			
1 PLACE	± .25	± .010																			
DRAFT WHERE APPLICABLE MUST REMAIN WITHIN DIMENSIONS	MATERIAL NO. SEE CHART	DRAWN BY GEP	DATE 1992/09/14	CHECKED BY RJF	DATE 1992/09/14	APPROVED BY RJF	DATE 1992/09/14	TITLE TERMINAL, FEMALE, CRIMP MINI-FIT H.C.S. SERIES BLANK-PLATE-FORM													
		MOLEX INCORPORATED		DOCUMENT NO. SD-44476-****		SHEET NO. 1 OF 1															